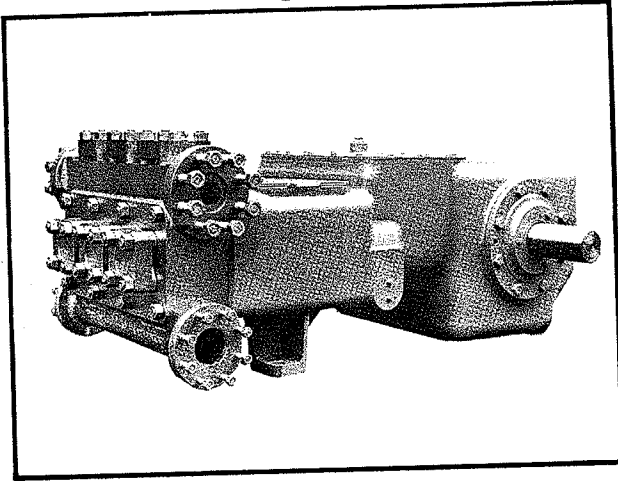


A-336 Triplex



Specifications

	English		Metric	
Pump Size (Max. Plunger Dia. x Stroke)	inches	3 x 6	mm	76 x 152
Standard Plunger Sizes	inches	2, 2½, 2¾, 3	mm	51, 54, 57, 60, 64, 67, 70, 73 and 76
Rated bhp at 400 rpm	hp	160	kW	119
Maximum Working Pressure: Discharge	psi	3180	kPa	21925
Suction	psi	275	kPa	1896
Two Flanged Suction Connections: Pipe Size	inches	4	mm	102
ANSI Rating	class	150	class	150
Two Flanged Discharge Connections: Pipe Size	inches	2½	mm	64
ANSI Rating	class	1500	class	1500
ANSI Rating		Large Recess		Large Recess
Crankshaft Extension: Diameter	inches	4.495	mm	114
Length	inches	8½	mm	216
Keyway (Width x Depth)	inches	1 x ¾	mm	25 x 10
Rated Plunger Load	pounds	10000	N	44482
Oil Capacity	gallons	21	litres	79
Weight (On Wood Shipping Skids) (Est.)	pounds	3410	kg	1547

Plunger Diameter		Stuffing Box Bore	
Inches	mm	Inches	mm
2 - 2½	51 - 60	¾	83
2½ - 3	64 - 76	1	105

Performance Data

(Volumes Indicated are Displacement of Noncompressible Fluid)
ENGLISH UNITS

Plgr. Dia. In.	Plgr. Area (Sq. In.)	Displacement Gal. Per Rev.	Max. Pressure psi	100 rpm		150 rpm		200 rpm		250 rpm		300 rpm		*320 rpm		400 rpm			
				bpd	gpm	bpd	gpm	bpd	gpm	bpd	gpm	bpd	gpm	bpd	gpm	psi	bpd	gpm	
2	3.1416	.2448	3180	840	24.48	1259	36.72	1679	48.96	2099	61.20	2519	73.44	2687	78.34	2520	3359	97.92	
2½	3.5466	.2764	2820	948	27.64	1422	41.45	1896	55.27	2370	69.09	2844	82.91	3033	88.43	2230	3792	110.54	
2¾	3.9761	.3098	2520	1063	30.98	1594	46.47	2125	61.96	2657	77.46	3188	92.95	3401	99.14	1990	4251	123.93	
2¾	4.4301	.3452	2260	1184	34.52	1776	51.78	2368	69.04	2960	86.30	3552	103.56	3789	110.47	1790	4736	138.08	
2¾	4.9087	.3825	2040	1312	38.25	1968	57.37	2624	76.50	3280	95.82	3936	114.75	4198	122.40	1610	5248	153.00	
2¾	5.4119	.4217	1840	1446	42.17	2170	63.26	2893	84.34	3616	105.43	4339	126.51	4629	134.95	1463	5786	168.68	
2¾	5.9396	.4628	1680	1587	46.28	2381	69.42	3175	92.56	3969	115.71	4762	138.85	5080	148.10	1335	6350	185.13	
2¾	6.4918	.5059	1540	1735	50.59	2603	75.88	3470	101.17	4338	126.46	5205	151.76	5552	161.87	1220	6940	202.34	
2¾	7.0686	.5508	1420	1889	55.08	2834	82.62	3778	110.16	4723	137.70	5668	165.24	6046	176.26	1120	7557	220.32	
Brake Horsepower Required				50		75		100		125		150		160		160			

METRIC UNITS

Plgr. Dia. mm	Plgr. Area cm²	Displacement L/rev.	Max. Pressure kPa	100 r/min.		150 r/min.		200 r/min.		250 r/min.		300 r/min.		*320 r/min.		400 r/min.			
				m³/d	L/s	m³/d	L/s	m³/d	L/s	m³/d	L/s	m³/d	L/s	m³/d	L/s	kPa	m³/d	L/s	
51	20.2683	.9267	21925	133	1.54	200	2.32	267	3.09	334	3.86	400	4.63	427	4.94	17382	534	6.18	
54	22.8810	1.0461	19443	151	1.74	226	2.62	301	3.49	377	4.36	452	5.23	482	5.58	15397	603	6.97	
57	25.6521	1.1728	17375	169	1.95	253	2.93	338	3.91	422	4.89	507	5.86	540	6.25	13734	676	7.82	
60	28.5815	1.3067	15582	188	2.18	282	3.27	376	4.36	470	5.44	565	6.53	602	6.97	12326	753	8.71	
64	31.6692	1.4479	14065	208	2.41	313	3.62	417	4.83	521	6.03	625	7.24	667	7.72	11124	834	9.65	
67	34.9153	1.5963	12686	230	2.66	345	3.99	460	5.32	575	6.65	690	7.98	736	8.51	10090	919	10.64	
70	38.3198	1.7520	11583	252	2.92	378	4.38	505	5.84	631	7.30	757	8.76	807	9.34	9194	1009	11.68	
73	41.8825	1.9149	10618	276	3.19	414	4.79	551	6.38	689	7.98	827	9.57	882	10.21	8412	1103	12.77	
76	45.6037	2.0850	9791	300	3.47	450	5.21	600	6.95	751	8.69	901	10.42	961	11.12	7725	1201	13.90	
Kilowatt Required				38		56		75		94		113		119		119			

*Pump speeds in excess of 320 rpm require specific approval of the manufacturer. Viscosity, temperature, velocities and other fluid properties or characteristics combined with the inherent mechanical efficiencies of pumps may result in less than optimum operations. We have applied this conservatism to assure you total performance.